

Page 03
Components

Page 05
Assembly: Installing the Rear
Wheels

Page 07
Assembly: Using the Harness

Page 09
Assembly: Converting Carrycot to
Seat Unit & Operating the Brakes

Page 11
Folding the Frame & Important
Safety Information

Page 13
Warranty Information

Page 04
Assembly: Parts & Opening the
Frame

Page 06
Assembly: Installing the Front
Wheels & Using the Bumper Bar

Page 08
Assembly:
Attaching Seat Unit to Pram

Page 10
Operating the Front Wheel
Lock & Seat Recline

Page 12
Warnings

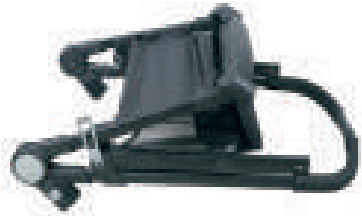
IMPORTANT! READ THE INSTRUCTIONS CAREFULLY BEFORE USE AND KEEP THEM FOR FUTURE REFERENCE. YOUR CHILD'S SAFETY MAY BE AFFECTED IF YOU DO NOT FOLLOW THESE INSTRUCTIONS. WHEN YOU UNPACK THE STROLLER FROM THE CARTON BOX, PLEASE REMOVE ALL PLASTIC BAGS AND SMALL ACCESSORIES AND KEEP THEM AWAY FROM CHILDREN.



- 1 Folding Button
- 2 Hood
- 3 Seat Recline
- 4 Seat Unit Toggle
- 5 Bumper Bar
- 6 Bumper Bar Release
- 7 5 Point Safety Harness
- 8 Seat/Carrycot Removal Button

- 9 Convertible Carrycot & Seat Unit
- 10 Shopping Basket
- 11 Built in Suspension
- 12 Foam Filled Wheels
- 13 Brake
- 14 Footmuff*
- 15 Raincover*

* Not Pictured



1. Chassis Frame



2. Seat Unit/Carrycot



3. Bumper Bar



4. Front Wheels



5. Rear Wheels



6. Rear Wheel Axle & Break



7. Rear Wheel Hub Caps

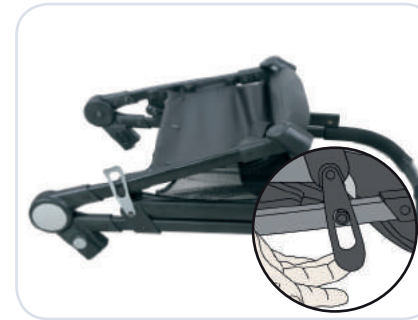


8. Rear Wheel Locking Caps



9. Footmuff

Assembly - Opening the Frame



1. Unhook the latch, located on the right hand side of the frame

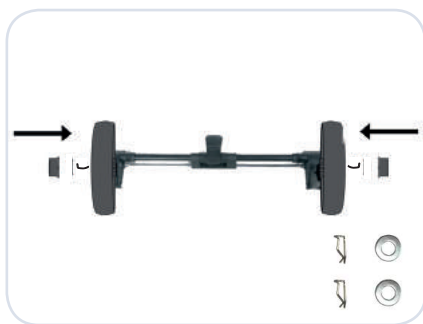


2. Lift the handlebar in the direction of the arrow until the frame locks into place.

Assembly - Installing the Rear Wheels



1. Insert the axle through each rear wheel, with the axle going through the break cluster on the wheel first.



2. Fix the smallest locking cap at the end of the axle to lock the wheel on, then repeat with the hub cap. Repeat this for both wheels, ensuring both sides are securely locked in place.



3. Once the wheels are fixed onto the axle, place the axle onto the frame of the chassis. Push it upwards until you hear a 'click' on both sides



4. To remove the rear wheel axle, push both the metal push pin clips inward, and slide downwards until the axle is clear of the chassis.

Assembly - Using the Bumper Bar



1. Align the bumper bar with the fitting on the frame and push inwards until you hear a 'click' on each side and see the safety release buttons are in the raised position.

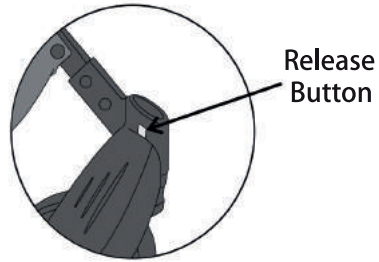


2. To remove, press each of the safety release buttons (indicated above) and pull the bumper bar outwards.

Assembly - Installing the Front Wheels

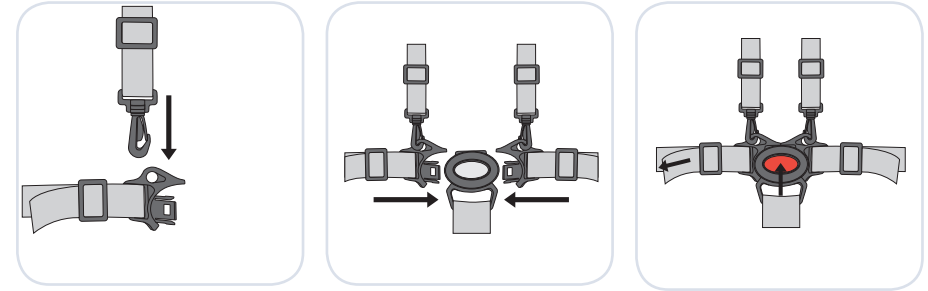


1. Push each front wheel onto the front wheel bayonet until you hear a 'click'. Ensure it is securely attached to the stroller before use.



2. To remove the front wheels, locate the release button which can be found at the top of the wheel bayonet, on the inner side. Push the button in firmly and the wheel will disengage.

Assembly - Using the Harness



1. Insert both shoulder strap fasteners securely into the loops located on the side straps
2. Press the two side straps into the centre clasp until both sides are clicked in securely. Adjust each strap length as required.
3. To undo the harness, press the buckles in the centre of the harness and pull apart.

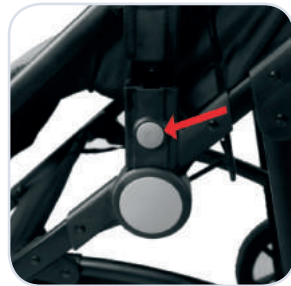
Assembly - Attaching Seat Unit to Pram



1. Align the seat unit adapters with the corresponding holders on the pram frame



2. Push the seat unit downwards until both sides 'Click'. Ensure that the seat is securely fastened before use.



3. To remove the seat unit, press the release buttons on both sides of the seat frame and lift the seat upwards.

Assembly - Converting Carrycot to Seat



1. To use the seat unit in carrycot mode, disconnect the two clips located at the bottom of the seat unit, and loosen the toggle at the top. Push the fabric downwards from the inside to ensure it lies flat.



2. To convert carrycot to seat unit, connect the two clips located at the bottom of the carrycot/seat unit



3. Tighten the toggle located on the top of the carrycot/seat unit. Ensure that all fabrics and buckles are secure before use.

Operating the Brakes



1. To engage the brake, apply a light downward pressure to the brake lever. Ensure that the brakes have been applied correctly and that the stroller will not move.



2. To release the brakes, gently lift up the brake lever.



1. Pull the lever located at the rear of the front wheel inwards towards the pram to engage the front wheel lock.



2. To release the lock, pull the lever outwards. Note that each wheel will require the lever to be pulled in a different direction - inwards & outwards, and not left or right.

Operating the Seat Recline



1. To recline the seat, lift the handle located at the top of the seat unit.

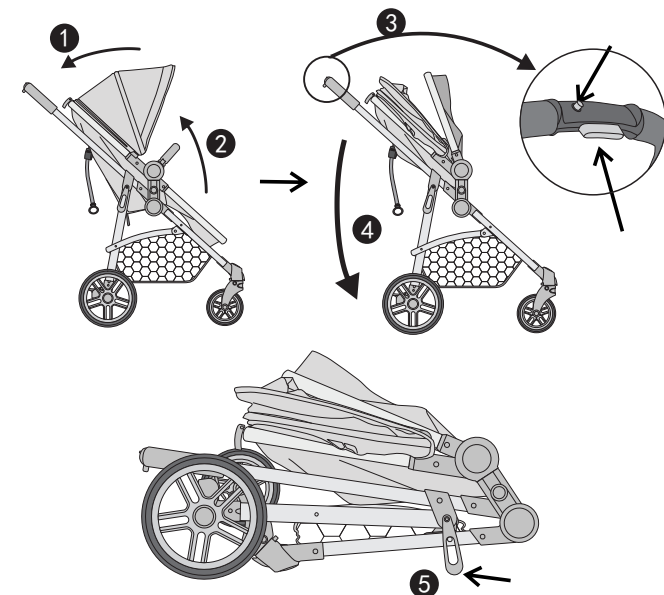


2. The seat has 3 positions - Fully reclined, mid recline and upright.



3. Please note that the fully upright position should only be used for a child over 6 months old.

Folding



Important Safety Information

CAUTION: Do not load the basket with more than 2 kgs (5LBS)

CLEANING

To clean the fabrics, please refer to the washing label which is located on the rear side of the stroller.

Clean periodically the fabric, plastic and metal parts with a damp cloth. Then dry with a soft and dry cloth to prevent rust from the metal parts.

MAINTENANCE

- Apply dry silicone oil on any moving parts of the stroller when needed.
- Check your stroller regularly. If any parts (like bolts, screws, wheels fabric pieces or stitching) are found to be loose, broken or damaged, always contact your retailer to arrange a repair.
- Where damage or dysfunction occurs, stop using the stroller.
- Strong sun exposure may cause aging and colour fading.
- Check caster bolts and wheel axles periodically and replace any damaged parts immediately.

NOTE: Only use parts and accessories that are recommended by the manufacturer.

Read these instructions carefully before use and keep them for future reference. Your child's safety may be affected if you do not follow these instructions. When you unpack the stroller from the carton box, please remove all plastic bags and small accessories and keep them away from children .

WARNING This stroller is intended for children from 0 to 36 months and up to 50LBS.

WARNING Ensure that all the locking devices are engaged before use.

WARNING Always use the restraint system.

WARNING To avoid injury or death, always apply the brakes whenever the stroller is stationary.

WARNING Never leave the stroller on a sloping surface with the child in it, even if the brake is activated.

WARNING Use the harness at all times.

WARNING Always use the crotch strap in combination with the waist belts.

WARNING A harness can form loops that may be a strangulation hazard. Never leave harness straps connected when not fitted to a child in the stroller.

WARNING Make sure children are clear of any moving parts if you are folding, unfolding or adjusting the stroller, otherwise they may be injured.

WARNING This stroller is to be used by one child at a time.

WARNING Do not leave your child unattended.

WARNING Do not allow children to stand on the seat or footrest.

WARNING Do not lift and carry the stroller when the child is seating. The stroller may slip or the guardrail may come off.

WARNING Do not allow anyone to adjust the backrest, except the baby's attendant.

WARNING Any load hanging from the handle bar will affect the stability.

WARNING This stroller is not suitable for running or skating.

WARNING Never allow the stroller to be used as a toy.

WARNING Do not overload the basket. Maximum load is 5LBS.

WARNING Regularly inspect the stroller for any parts that are loose, broken, torn or missing.

WARNING Do not put accessories or spare parts that are not supplied by the manufacturer.

WARNING Keep the stroller away from children, when it is not used.

WARNING Be careful when getting on or off a curb or step.

WARNING If the stroller is exposed to the sunlight for many hours, wait until it cools down before putting the child in it. Prolonged exposure to the sun may change the colour of the fabric and materials.

WARNING Never use the stroller on stairs or escalators.

WARNING Never use the stroller near an open fire.